

TRANSITION ADAPTOR PE-PE

03 Update - 06/2023

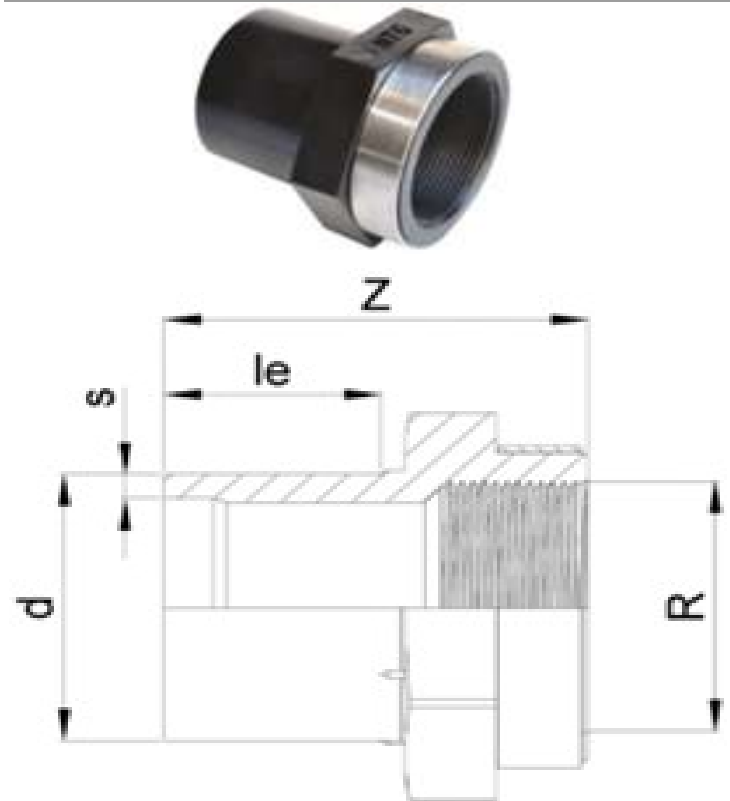
TECHNICAL DATA

Article No	001 117 6211 0040
d (mm)	40
R (inch)	1¼"
le (mm)	42
Z (mm)	79
s (mm)	3,7
Weight (Kg)	0,095
Box Quantity (pcs)	40
Box Dimension (pcs)	27,5x24x23

IDENTIFICATION OF PRODUCT

D	40x1¼"
PN	10
RAW METARIAL	PE 100
PRESSURE CLASS	10 Bar Water
TRADEMARK	NTG
EXECUTION	Injection Moulded
STANDARD	EN 12201-3

INJECTION MOULDED



SPECIFICATION

Long Spigot
Reinforcing ring stainless

Tolerance on diameters and thickness according to the standards. The other dimensions are specialized. Tolerance \pm 5%. NTG PLASTIK reserves all the right to change any information without giving prior notice. The production, distribution and utilization of this document without explicit authorization is prohibited.